

Applicable Model

HyPanel Ultra
PH81-ST

Drawing Title

Home Control Center
Panel

Drawing Unit

mm

Drawing Scale

Not to scale

**DRAFT
CHANGE TO
SUBJECT**

Last Revised

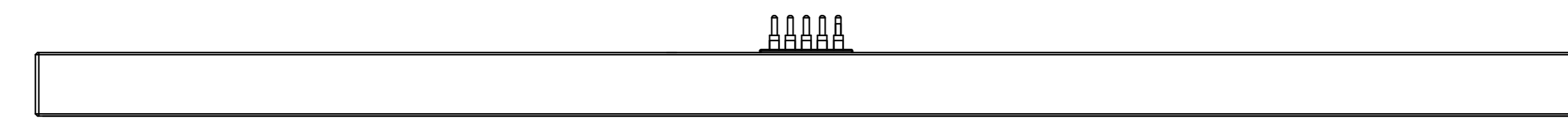
Jan .22,2024

Drawing Version

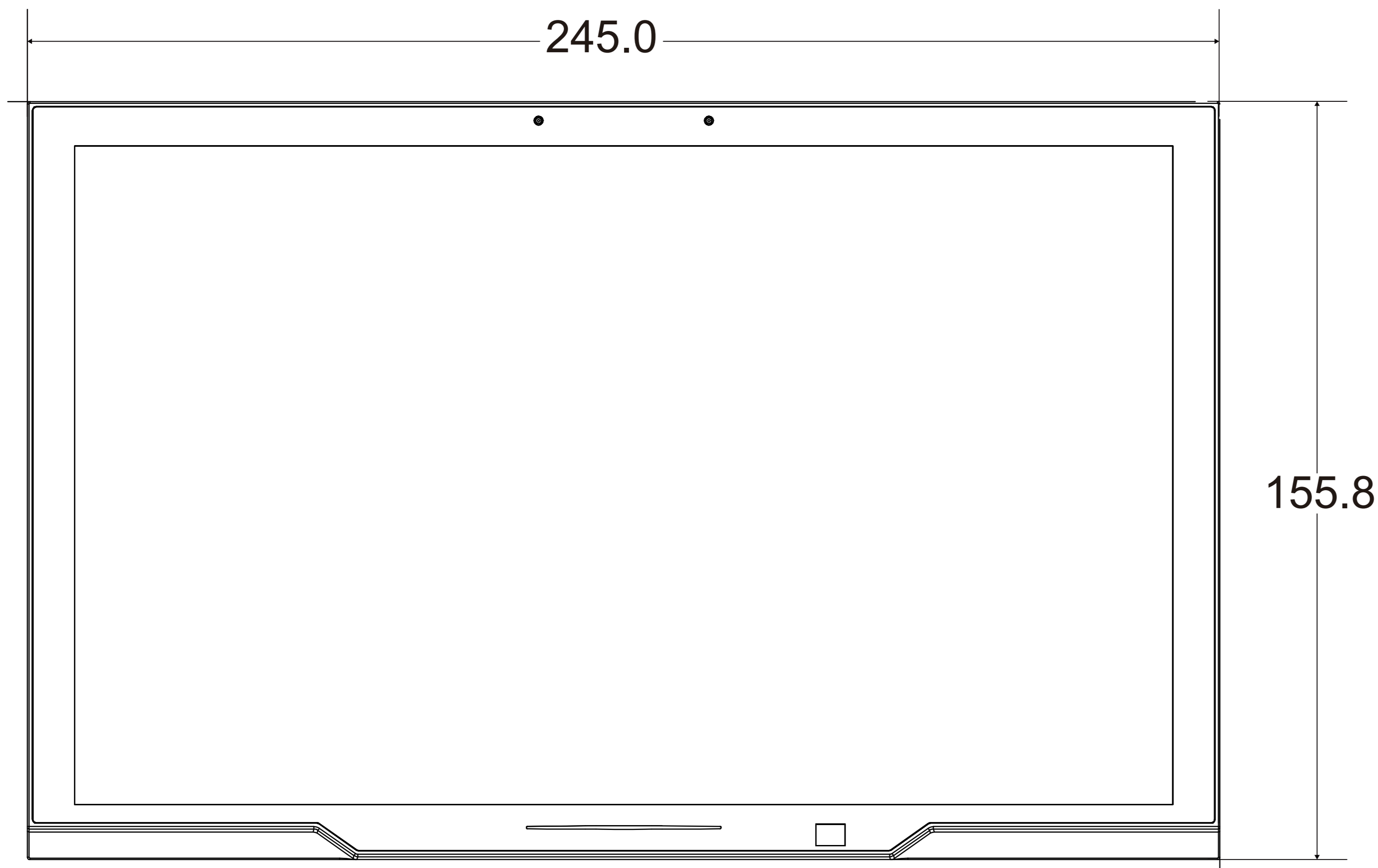
V1.0

Page

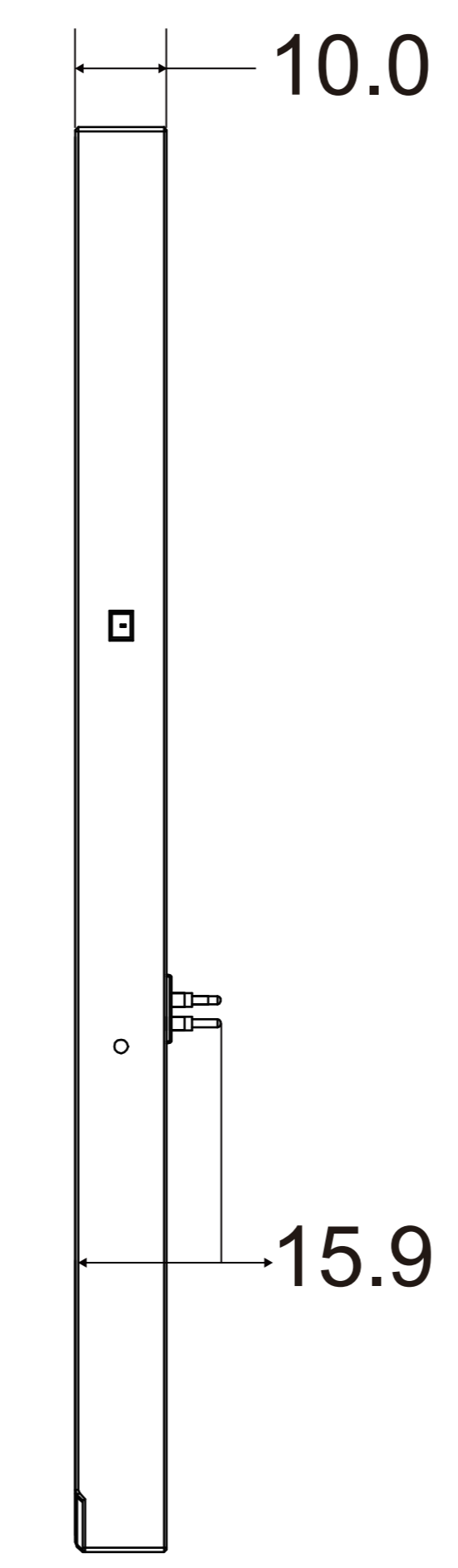
1 of 3



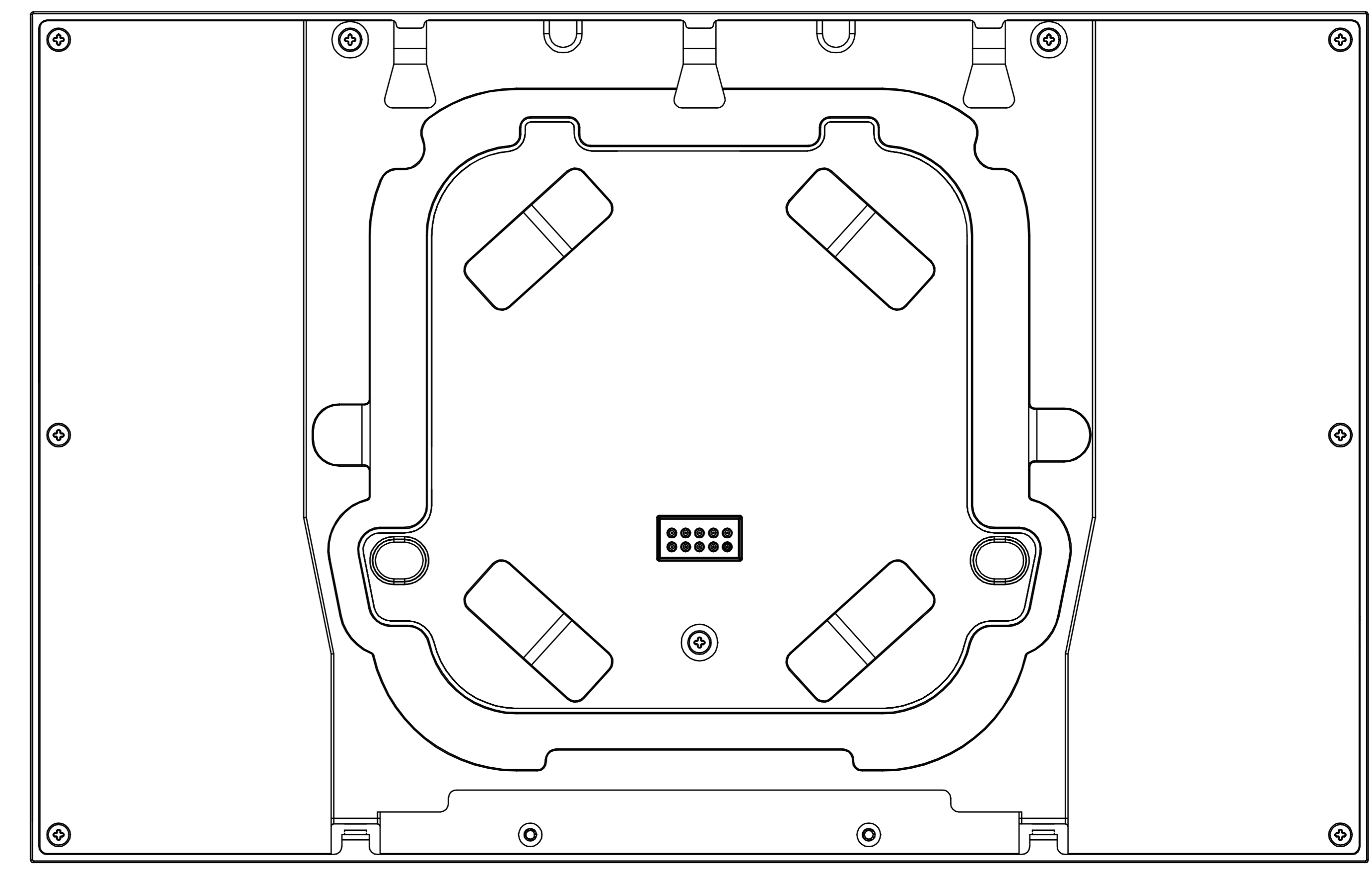
5 **BOTTOM VIEW**



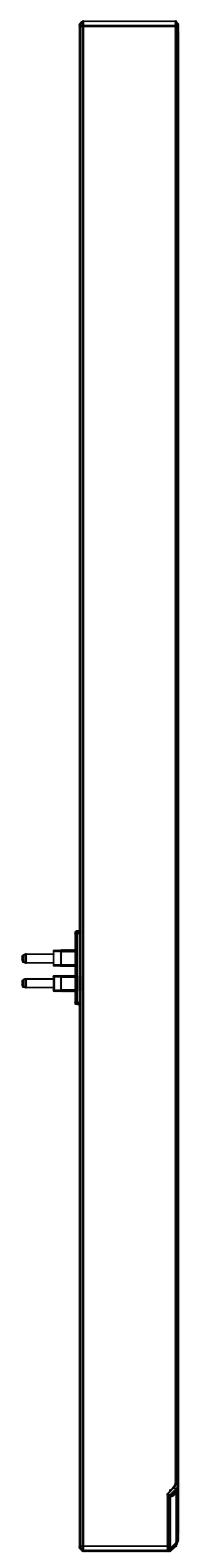
1 **FRONT VIEW**



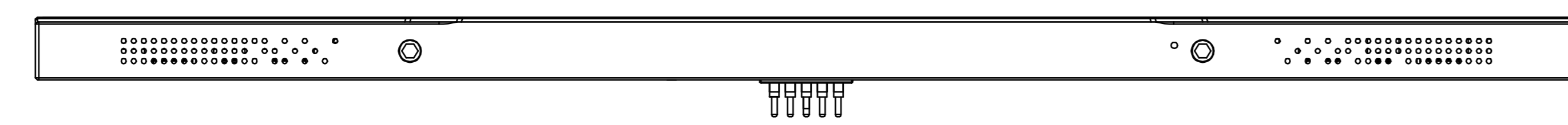
3 **LEFT VIEW**



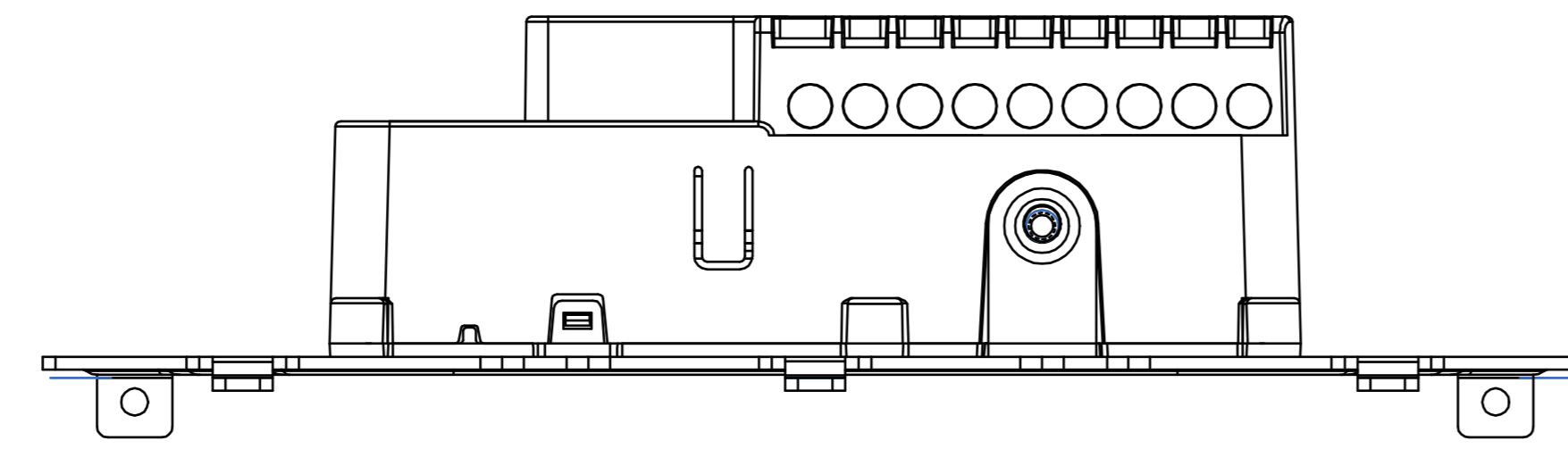
4 **BACK VIEW**



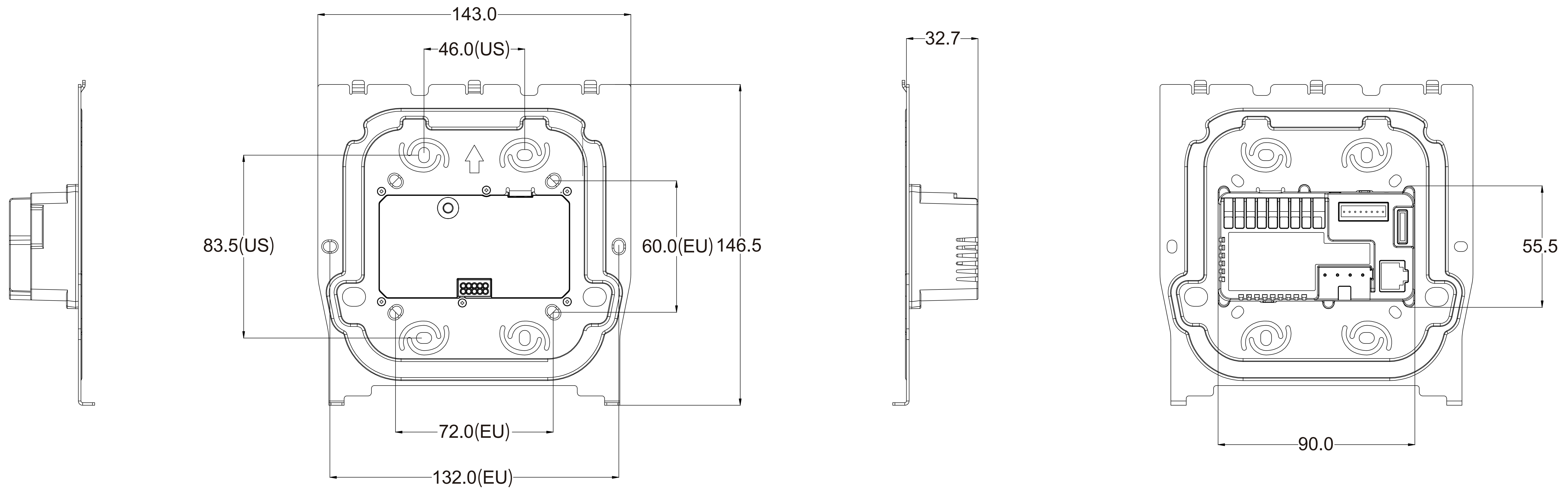
2 **RIGHT VIEW**



6 **TOP VIEW**



5 **BOTTOM VIEW**

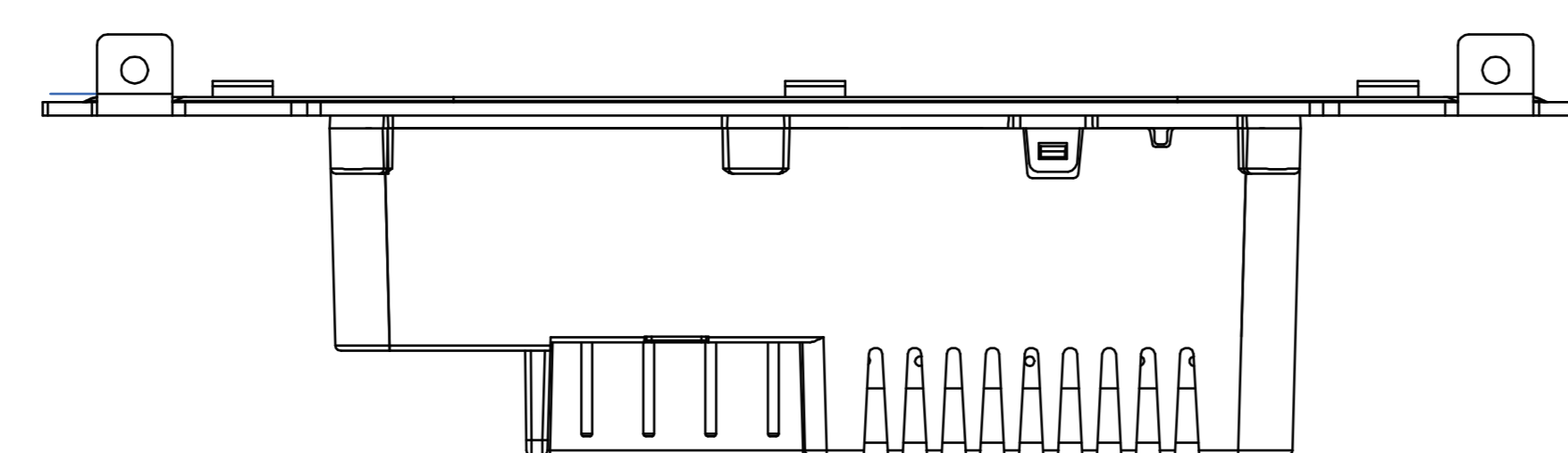


3 **LEFT VIEW**

1 **FRONT VIEW**

2 **RIGHT VIEW**

4 **BACK VIEW**



6 **TOP VIEW**

Applicable Model

HyPanel Ultra
PH81-ST

Drawing Title

Home Control Center
Panel

Drawing Unit

mm

Drawing Scale

Not to scale

**DRAFT
CHANGE TO
SUBJECT**

Last Revised

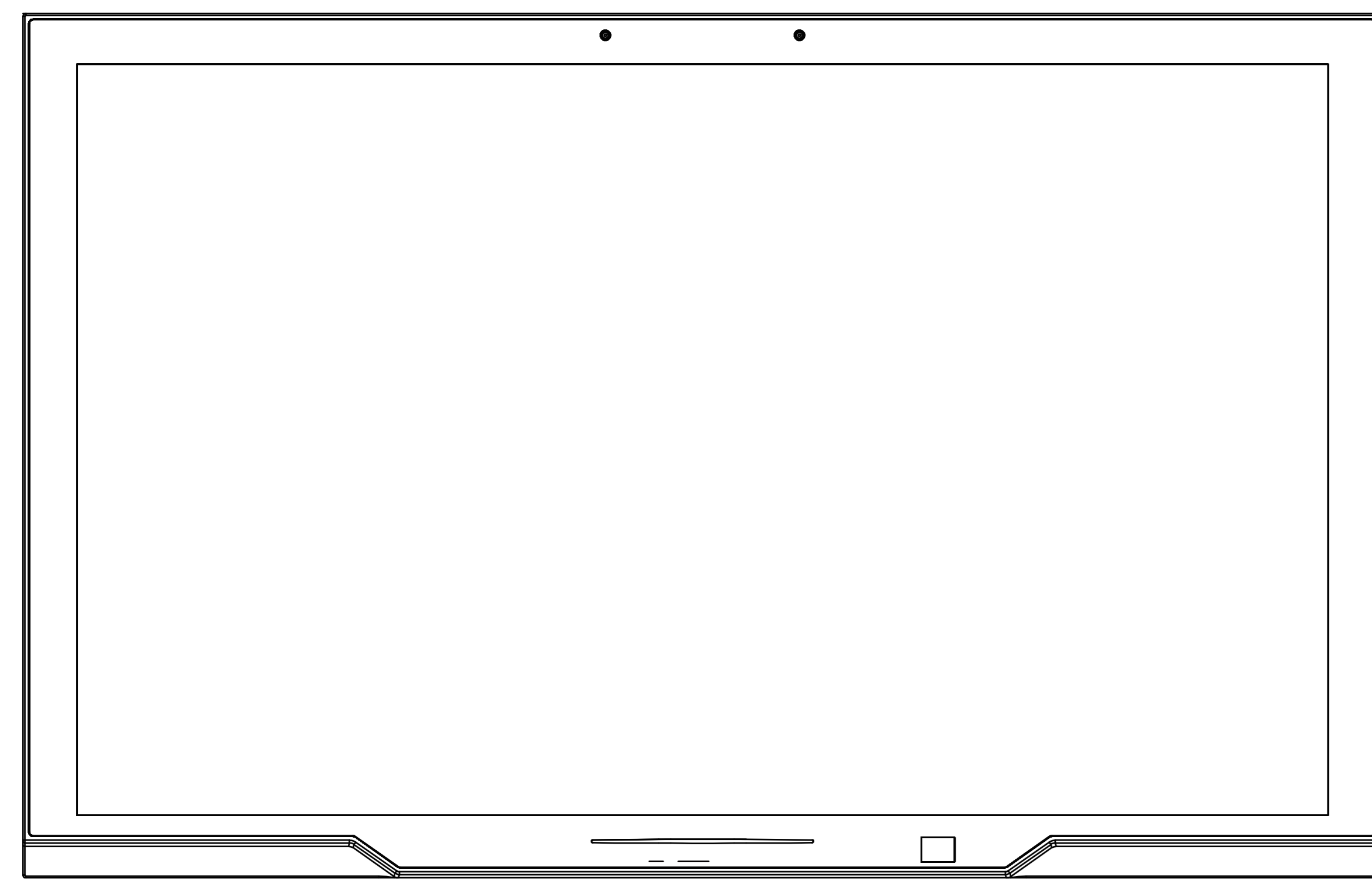
Jan .22,2024

Drawing Version

V1.0

Page

3 of 3

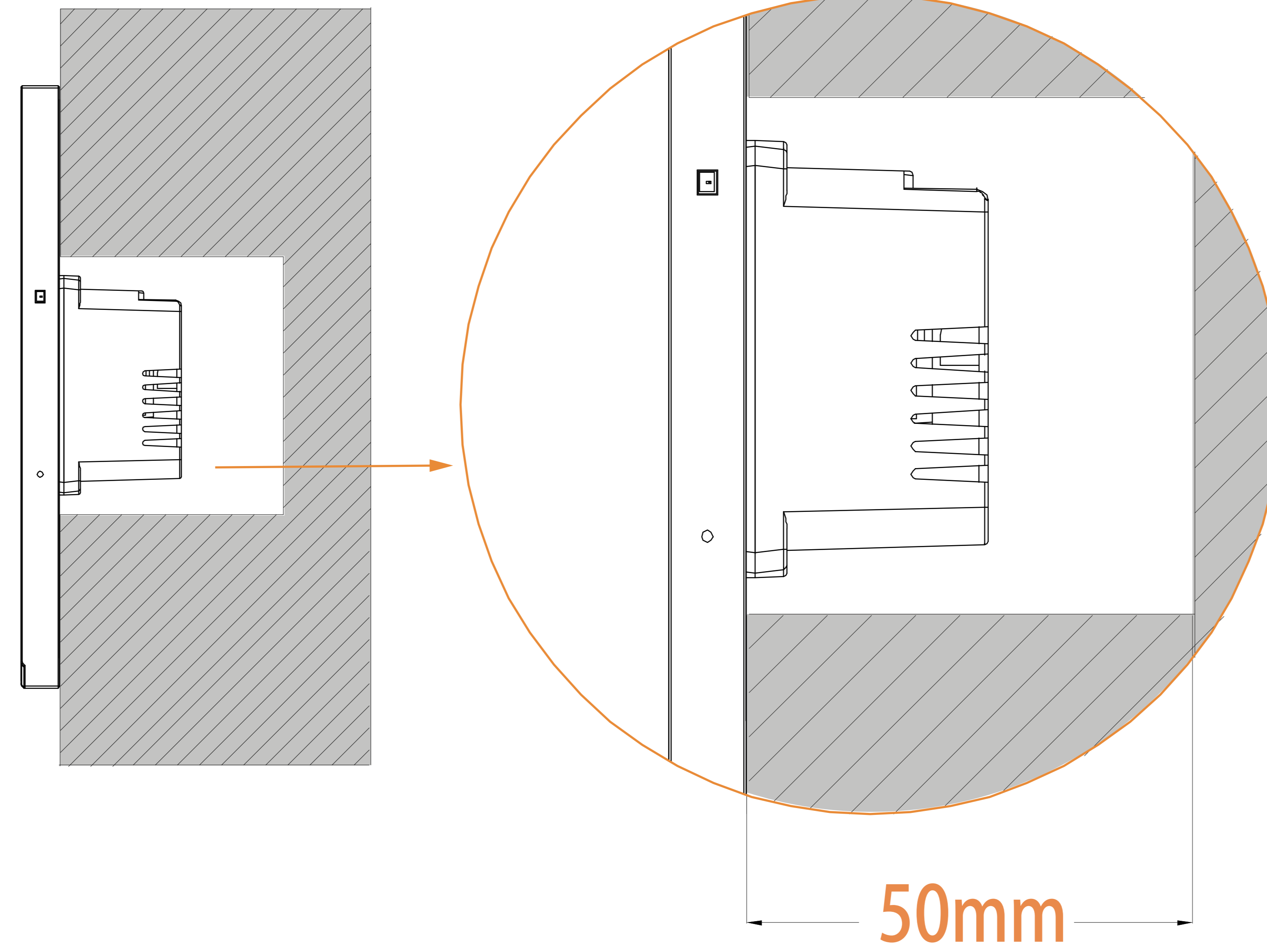


① HYPANEL ULTRA FRONT VIEW

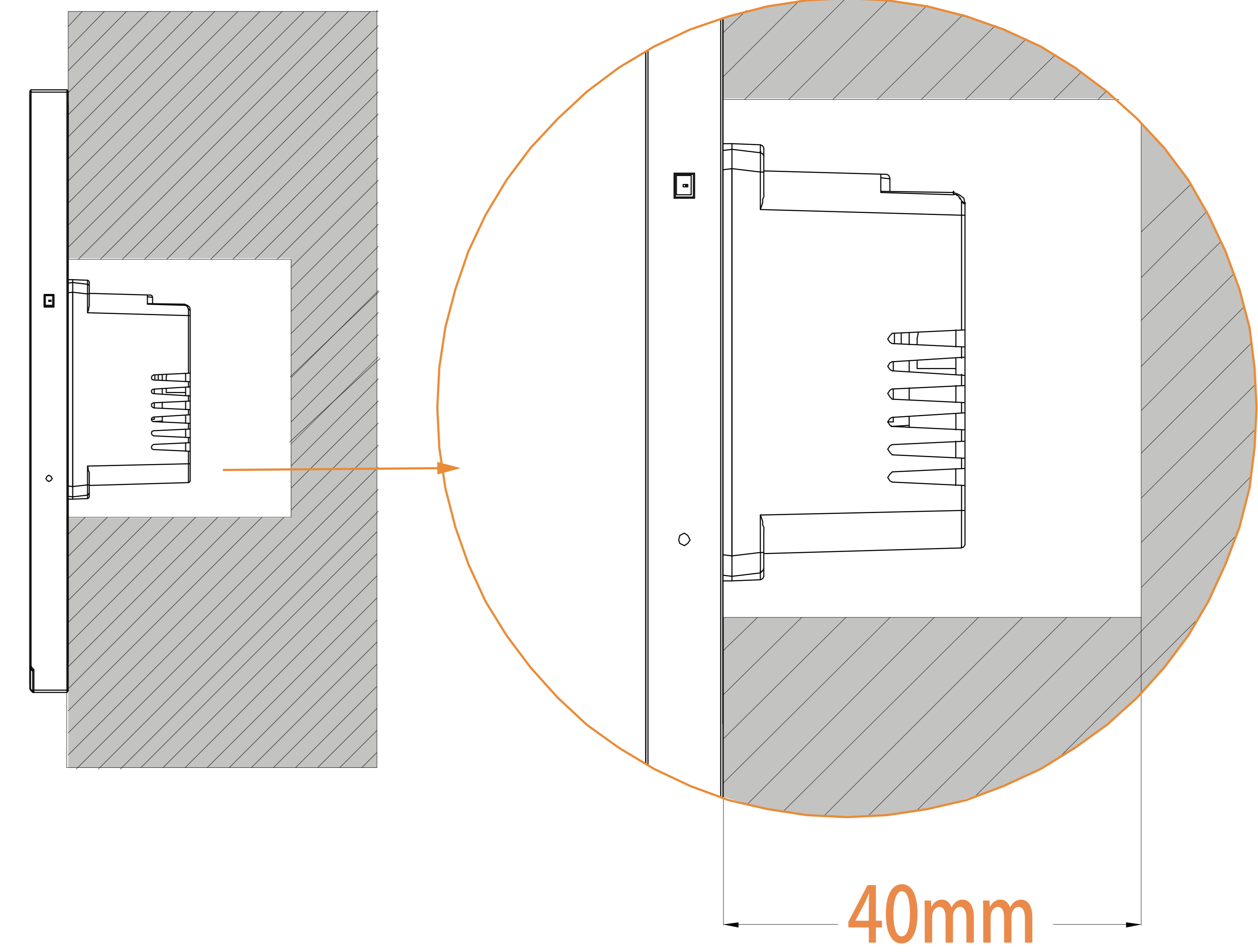
1100-1600mm TO BOTTOM OF PANEL

ADA Compliance Requirement

GROUND



② SIDE VIEW:HYPANEL ULTRA IN WALL



A 50 mm (2 inches) deep electrical box is highly recommended for ease of installation.